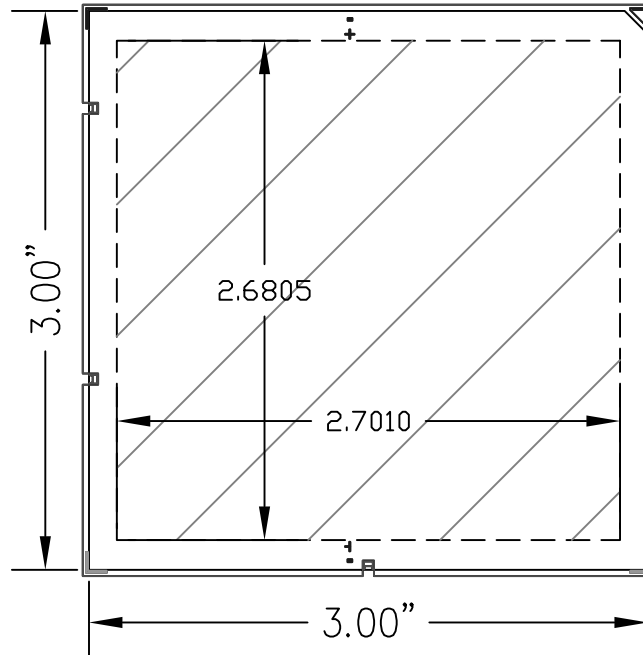


DIABLO REVISIONS

REV	DESCRIPTION	DATE	BY
-	ORIGINAL ISSUE	09-01-09	JPV



NOTES :
 1. HATCHED AREA DEPICTS USABLE AREA

3 x 3

STANDARD BORDER

3 x 3



2245 Meridian Blvd.
 Minden, NV 89423
 775.782.1041

TITLE
 3 x 3

DWN: JPV DATE: 09-01-09 CHK: DATE: